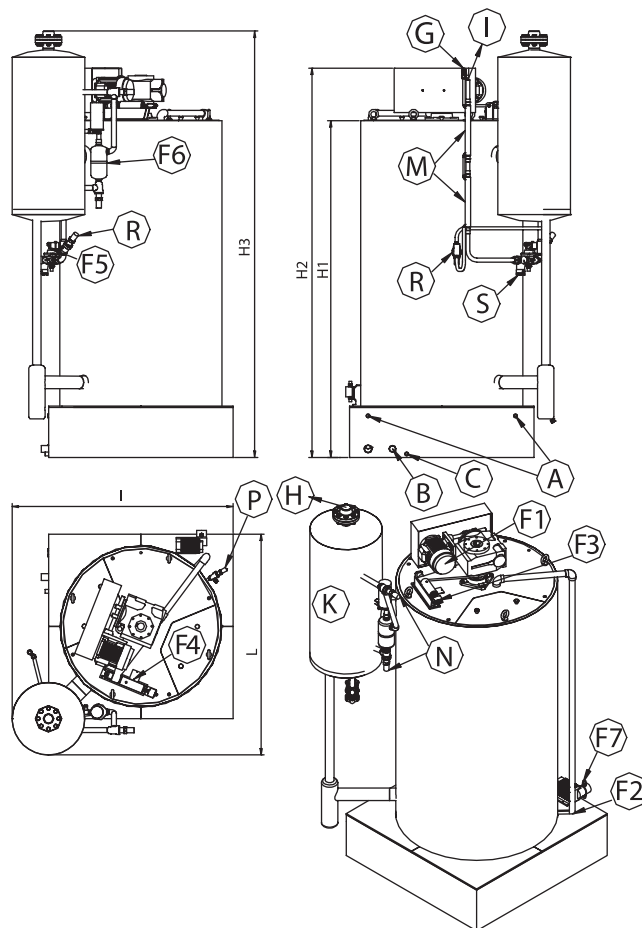


ICE-GENERATOR F800

with flood
bottle



Flake-ice
generators



GENEGLACE sas

ZAC de la Forêt - 9 rue des Orfèvres
44840 Les Sorinières -France
Téléphone : +33 (0)2 51 19 10 51
Fax : +33 (0)2 40 05 73 81
www.geneglance.com
contact@geneglance.fr

Models and specifications can be
subject to change without notice
10/2004

Capital 3 737 000 E - SIREN 444 160 873 RCS Nantes

F 800 with bottle - INLAND MODEL

Water supply		fresh water
Daily production	T/24h	15 - 20
Refrigerant		R22, R404A
Liquid inlet (J)		Liquid level control
Dimensions L x l x H3	cm	155 x 155 x 310
Net weight	kg	2500
Reamer motor (F1)	W	550
Pump motor (F2)	W	300
Solenoid valve (F5)	W	10
Salt dosing pump (F7)	W	50
Base dimensions	cm	129 x 129
Diameter ice-outlet	cm	93
Suction line (H)	mm	ND 65
Liquid line (G)	mm	ø 33,4 x 3,4
Oil return (I)		ø 1/2"
Oil drain (I)		manual ø 3/8
Torque limiter (F3)		electromechanical