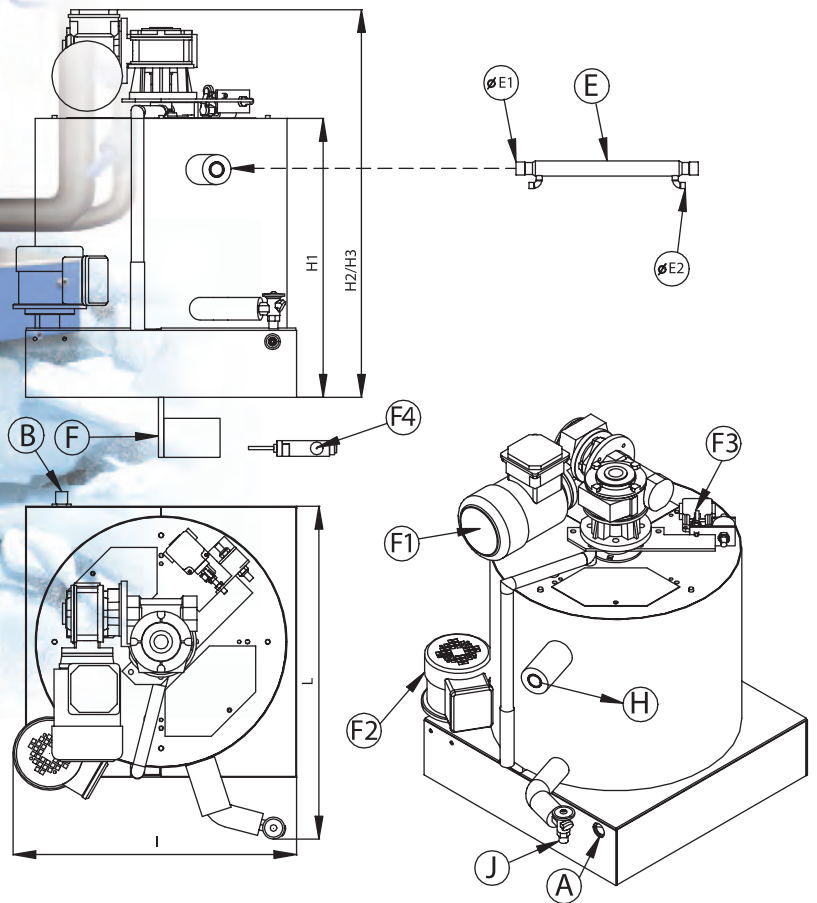


# ICE-GENERATOR F30



Flake-ice  
generators



**GENEGLACE** sas  
ZAC de la Forêt - 9 rue des Orfèvres  
44840 Les Sorinières -France  
Téléphone : +33 (0)2 51 19 10 51  
Fax : +33 (0)2 40 05 73 81  
[www.geneglance.com](http://www.geneglance.com)  
contact@geneglance.fr

Models and specifications can be  
subject to change without notice  
10/2004

Capital 3 737 000 E - SIREN 444 160 873 RCS Nantes

## F 30 - INLAND MODEL

Water supply		fresh water
Daily production	T/24h	0,6 - 1
Refrigerant		R22, R404A
Liquid inlet (J)		expansion valve
Dimensions L x l x H3	cm	65 x 50 x 70
Net weight	kg	90
Reamer motor (F1)	W	90
Pump motor (F2)	W	70
Base dimensions	cm	50 x 47
Diameter ice-outlet	cm	34
Suction (H)	mm	ø 26,7 x 2,9
Liquid inlet (C)	mm	ø 3/8"
Torque limiter (F3)		electromechanical