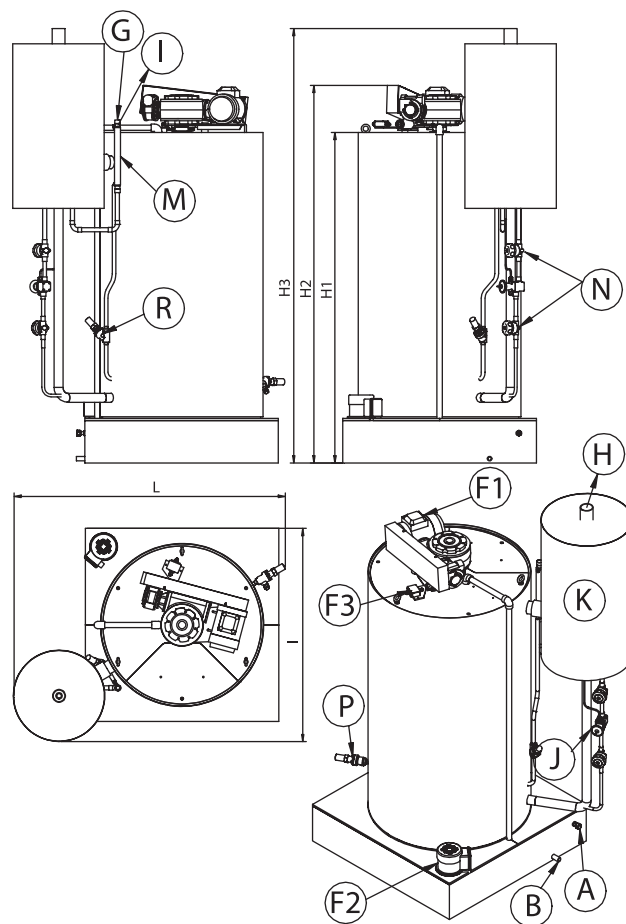


ICE-GENERATOR F250

with flood
bottle



Flake-ice
generators



GENEGLACE sas

ZAC de la Forêt - 9 rue des Orfèvres
44840 Les Sorinières -France
Téléphone : +33 (0)2 51 19 10 51
Fax : +33 (0)2 40 05 73 81
www.geneglance.com
contact@geneglance.fr

Models and specifications can be
subject to change without notice
10/2004

Capital 3 737 000 E - SIREN 444 160 873 RCS Nantes

F 250 with bottle - INLAND MODEL

Water supply		fresh water
Daily production	T/24h	6,5 - 10
Refrigerant		R22, R404A
Liquid inlet (J)		expansion valve
Dimensions L x l x H3	cm	130 x 100 x 205
Net weight	kg	720
Reamer motor (F1)	W	250
Pump motor (F2)	W	70
Base dimensions	cm	91 x 91
Diameter ice-outlet	cm	68
Suction (H)	mm	ø 60,3 x 3,9
Liquid inlet (C)		ø 7/8"
Oil return (I)		ø 3/8"
Oil drain (P)		manual ø 3/8"
Torque limiter (F3)		electromechanical