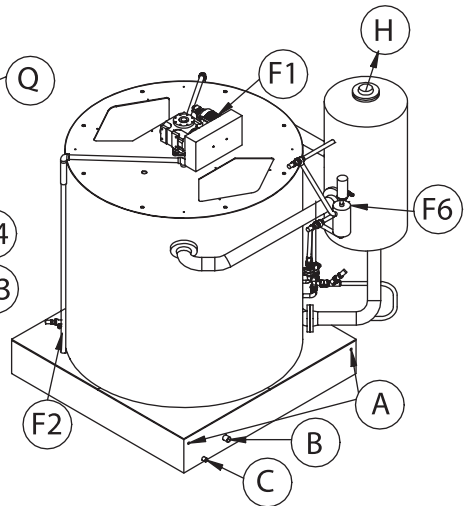
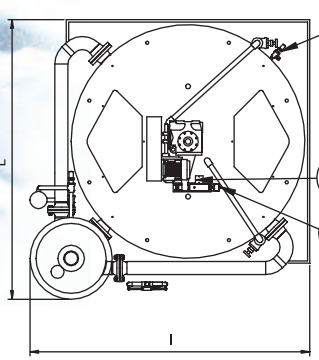
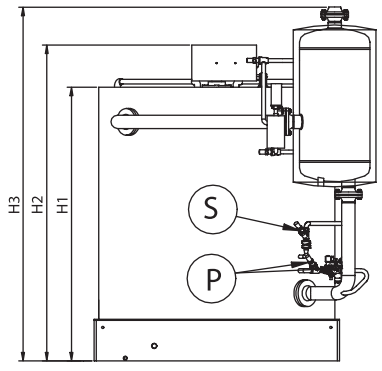
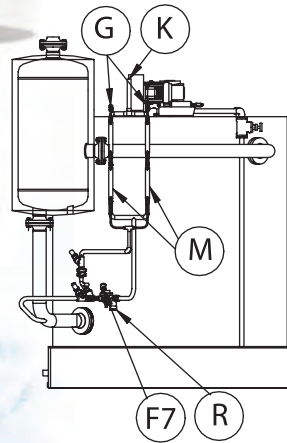


ICE-GENERATOR F2000 with flood bottle



Flake-ice generators



GENEGLACE sas
 ZAC de la Forêt - 9 rue des Orfèvres
 44840 Les Sorinières -France
 Téléphone : +33 (0)2 51 19 10 51
 Fax : +33 (0)2 40 05 73 81
www.geneglance.com
contact@geneglance.fr

Models and specifications can be subject to change without notice
 10/2004

Capital 3 737 000 E - SIREN 444 160 873 RCS Nantes

F 2000 with bottle - INLAND MODEL		
Water supply		fresh water
Daily production	T/24h	40 - 50
Refrigerant		R22, R717 R404A
Liquid inlet (J)		Liquid level control
Dimensions L x l x H3	cm	244 x 244 x 310
Net weight	kg	5200
Reamer motor (F1)	W	550
Pump motor (F2)	W	300
Salt dosing pump (F7)	W	50
Solenoid valve (F5)	W	10
Base dimensions	cm	208 x 208
Diameter ice-outlet	cm	178
Suction (H)	mm	DN 100
Liquid inlet (C)	mm	DN 100
Oil drain (Q)		manual
Torque limiter (F3)		electromechanical