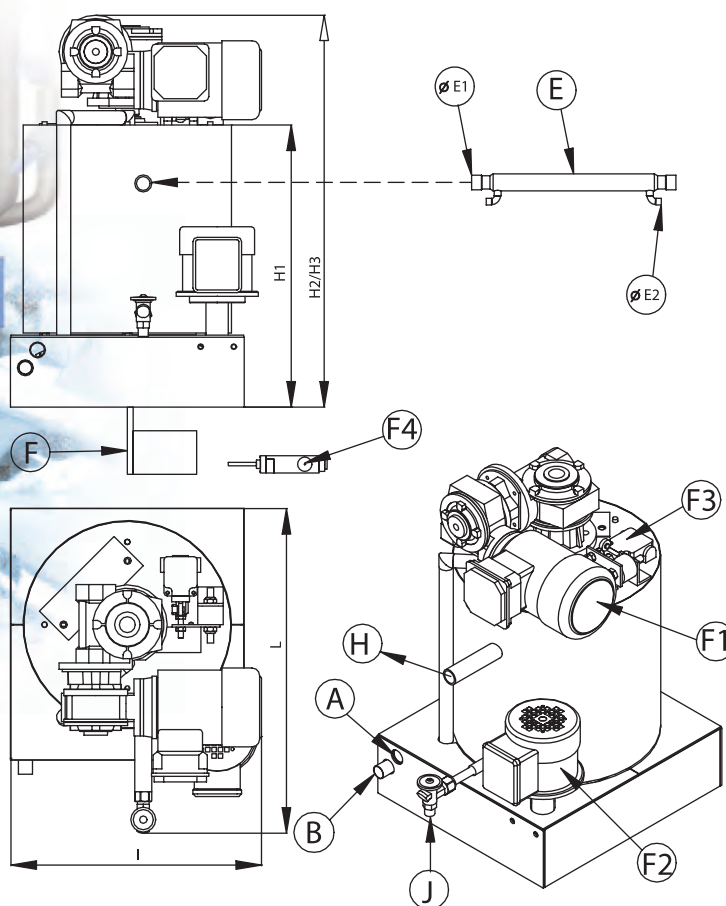


ICE-GENERATOR F15



Flake-ice
generators



GENEGLACE sas

ZAC de la Forêt - 9 rue des Orfèvres
44840 Les Sorinières -France
Téléphone : +33 (0)2 51 19 10 51
Fax : +33 (0)2 40 05 73 81
www.geneglance.com
contact@geneglance.fr

Models and specifications can be
subject to change without notice
10/2004

Capital 3 737 000 E - SIREN 444 160 873 RCS Nantes

F 15 - INLAND MODEL

Water supply		fresh water
Daily production	T/24 h	0,3 - 0,5
Refrigerant		R22, R404A
Liquid inlet (J)		expansion valve
Dimensions L x I x H3	cm	52 x 40 x 60
Net weight	kg	50
Reamer motor (F1)	W	90
Pump motor (F2)	W	70
Base dimensions	cm	39 x 36
Diameter ice-outlet	cm	24
Suction (H)	mm	ø 26,7 x 2,9
Liquid inlet (C)	mm	ø 3/8"
Torque limiter (F3)		electromechanical